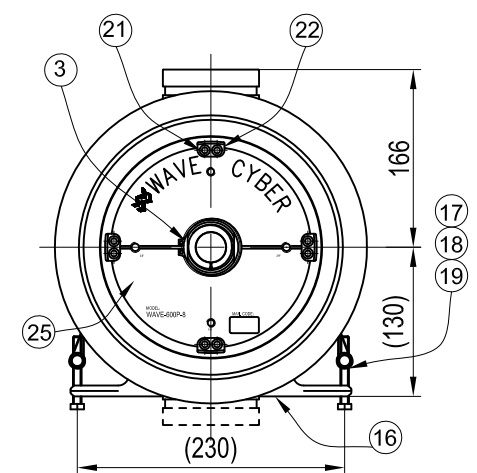


15 PERMEATE PORT
 OPTION F---NPT 1" FEMALE THREAD;
 OPTION G---Rp 1" FEMALE THREAD;
 OPTION H--- UNION ADAPTOR;
 FIT 32mm(O.D) PIPE
 OPTION J---UNION ADAPTOR;
 FIT 1.32"(O.D) PIPE
 OPTION V---Mechanical Coupling 1"-ABS;
 OPTION S---Mechanical Coupling 1"-SS;

WARNING!
 PRESSURE IN THE PERMEATE PORT
 SHALL NOT EXCEED 125 PSI (0.86MPa)



- 1.Flexible piping should be used on permeate connection to manifold.
- 2.Side port misalignment can not exceed 0.7mm in any direction.
- 3.MPV is not designed for negative pressures.

SIDE PORT PACKING WASHER	23100-43-01		3"	11763
	27300-04-03		2.5"	11591
	27300-04-02		2"	11590
CURVED SIDE PORT SEAL	27300-04-01		1.5"	11571
	23100-07-04		3"	10491
	23100-07-02		2.5"	10497
SIDE PORT GASKET	23100-07-01		2"	10495
	23100-07-03		1.5"	10493
	23100-46-04		3"	20286
SIDE PORT NUT	27300-06-03		2.5"	20998
	27300-06-02		2"	20997
	27300-06-01		1.5"	20978
SIDE PORT	27300-05-04		3"	21108
	27300-05-03		2.5"	20996
	27300-05-02		2"	20995
DESCRIPTION	27300-05-01		1.5"	20977
	23600-02-04-04	U	3"	20484
	23600-02-02-07	T	2.5"	21129
	23600-02-01-07	S	2"	21128
	23600-02-03-07	R	1.5"	21127
				COMPUTER CODE

BEARING PLATE 600 PSI	23600-09-01	ALUMINUM PLATE	20316	ASME CODE PRODUCT
	23600-09	ALUMINUM STICK	20061	
DESCRIPTION	DRAWING NO.	MATERIAL	COMPUTER NO.	REMARK

PERMEATE PORT 600 PSI	23300-10-08-02	UF	VICTAULIC 1.5"	11521
	23300-10-09-01	N	NPT 1 1/2" MALE THREAD	11527
	23300-10-06-01	M	NPT 1 1/4" MALE THREAD	11515
	23300-10-05-01	S	MECHANICAL COUPLING 1"-SS	11496
	23300-10-05-01	V	MECHANICAL COUPLING 1"-ABS	11496
	23300-10-05-01	J	UNION ADAPTOR 1"(1.32")	11496
	23300-10-05-01	F	NPT 1" FEMALE THREAD	11496
	23300-10-05-01	G	Rp 1" FEMALE THREAD	11496
	23300-10-05-01	H	UNION ADAPTOR 1"(32mm)	11496
DESCRIPTION	DRAWING NO.	CODE	PERMEATE PORT SPECS	COMPUTER CODE

TECHNICAL REQUIREMENT
 1.DESIGN PRESSURE 600Psi(4.1MPa);
 2.DESIGN TEMPERATURE 150°F(65°C) ;
 3. MIN ALLOWABLE TEMPERATURE 20°F(-7°C) ;
 4.WORKING MEDIUM,WATER pH RANGE 3~10;
 5.PLEASE OPERATE IN ACCORDANCE WITH USER MANUAL;
 6.SPARE PARTS FORM JUST FOR REFERENCE,
 SPECIFIC FORM OF THE SPARE PART DRAWING PREVAIL.

SHELL Length Code	L Inch (mm)	P Standard Inch (mm)	S Span Inch (mm)
-1	62.56 (1589)	47 (1194)	1@16 (420)
-1.5	82.56 (2097)	67 (1702)	1@35 (900)
-2	102.56 (2605)	87 (2210)	1@56 (1422)
-3	142.56 (3621)	127 (3226)	1@80 (2032)
-4	182.56 (4637)	167 (4242)	2@64 (1626)
-5	222.56 (5653)	207 (5258)	2@78 (1981)
-6	262.56 (6669)	247 (6274)	2@92 (2337)
-7	302.56 (7685)	287 (7290)	2@106 (2692)
-7.5	322.56 (8193)	307 (7798)	2@114 (2896)
-8	342.56 (8701)	327 (8306)	2@120 (3048)

27	SIDE PORT WASHER	23100-26	2	304	20303
26	SIDE PORT GASKET	SEE "SIDE PORT CONFIGURATIONS"	2	304	SEE THE CHART
25	ALUMINUM PLATE LABEL		2	ADHESIVE LABEL	40844
24	LOGO LABEL		2	ADHESIVE LABEL	40255
23	SERIAL NO LABEL		1	ARTPAPER 20*53	40425
22	RETAINING BLOCK	23300-36-01	8	316	20183-4
21	SCREW	GB819-85	16	M5*14 STAINLESS STEEL	20833
20	STRAP PROTECTIVE JACKET	23300-19	2or3	SOFT PVC	10188
19	STRAP SCREW		4or6	M8*120 STAINLESS STEEL	21059
18	STRAP NUT	23300-18	4or6	Hpb59-1	20123
17	STRAP	23300-17	2or3	304	20123
16	SADDLE	23300-16	2or3	LDPE	10141-1
15	EMBEDDED RING	23450-15	2	316L	20073
14	ADAPTOR O RING	23300-14	4	EPDM	10182
13	ADAPTOR	23300-13	2	ABS	10125
12	RETAINING RING	23300-12	2	316	20025
11	HEAD SEAL	23300-26	2	EPDM	10175
10	PERMEATE PORT(600PSI)	SEE "PERMEATE PORT CONFIGURATIONS"	2	PP	SEE THE CHART
9	BEARING PLATE	SEE "BEARING PLATE CONFIGURATIONS"	2	SEE THE CONFIGURATIONS	SEE THE CHART
8	PERMEATE PORT O RING	23300-08	2	EPDM	10181
7	THRUST CONE	23300-07	1	PP	10192
6	SIDE PORT NUT	SEE "SIDE PORT CONFIGURATIONS"	2	304	SEE THE CHART
5	SIDE PORT SEAL	SEE "SIDE PORT CONFIGURATIONS"	2	EPDM	SEE THE CHART
4	CURVED SIDE PORT SEAL	SEE "SIDE PORT CONFIGURATIONS"	2	EPDM	SEE THE CHART
3	PERMEATE RETAINING RING	23300-03	2	316	20107
2	SIDE PORT	SEE "SIDE PORT CONFIGURATIONS"	2	S32250	SEE THE CHART
1	SHELL	23600-01-05	1	FIBER GLASS + EPOXY	(3048)
ITEM	DESCRIPTION	DRAWING NO.	QTY	MATERIAL	COMPUTER CODE

REVISION	SIGNATURE		DATA
REFERENTIAL PLASTIC SHRINKAGE (IF NECESSARY):	THE DIMENSIONS ARE FOR REFERENCE ONLY		
SIGNATURE		WAVE CYBER (SHANGHAI) CO., LTD.	
DESIGN	NAME	DATE	
INSPECTION	SCALE 1:7		MATERIAL
APPROVAL	QUANTITY		SMOOTHNESS
THIS PRODUCT DRAWING CAN NOT BE COPIED AND/OR USED WITHOUT PRIOR WRITTEN APPROVAL OF WAVE CYBER.		PROJECTION	COMPUTER CODE
DO NOT MEASURE THE DIMENSIONS.		UNIT: MM	TOTAL PAGE: 1
MODEL WAVE-600P-8		DESCRIPTION 600P-8 MEMBRANE HOUSING (Hi-Flo)	
DRAWING NO. 23600-00-02		VERSION NO. 0	