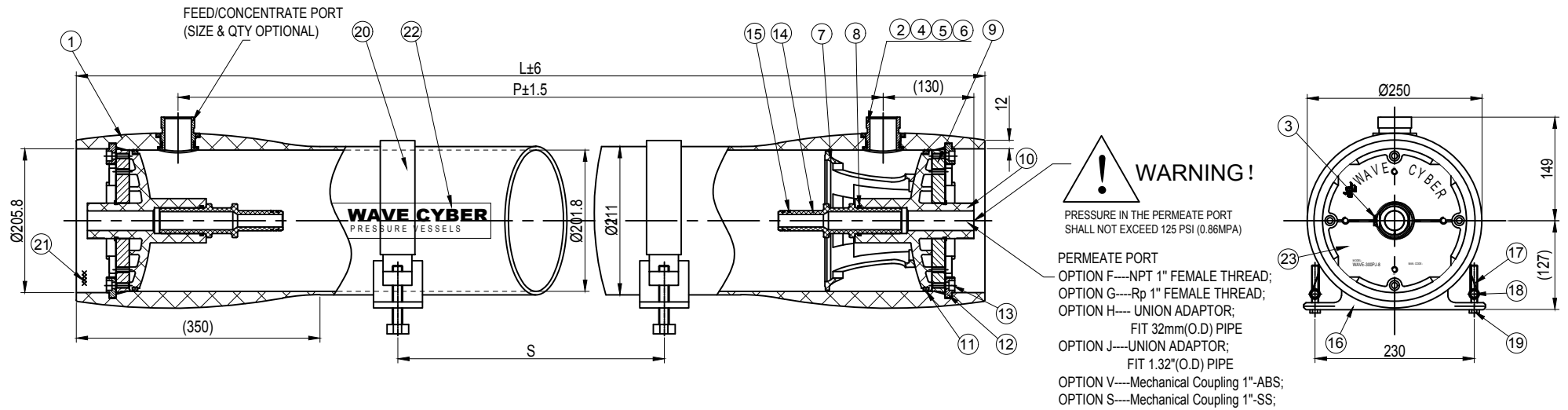


00-006Z



DESCRIPTION	DRAWING NO.	CODE	SIZE	COMPUTER CODE
NUT SHIM	27300-06-03		2.5"	20998
	27300-06-02		2"	20997
	27300-06-01		1.5"	20978
SIDE PORT NUT	27300-05-03		2.5"	20996
	27300-05-02		2"	20995
	27300-05-01		1.5"	20977
SIDE PORT SEAL	27300-04-03		2.5"	11591
	27300-04-02		2"	11590
	27300-04-01		1.5"	11571
SIDE PORT	27300-02-03		2.5"	20992
	27300-02-02		2"	20991
	27300-02-01		1.5"	20975
SHELL	27300-01-03		2.5"	
	27300-01-02		2"	
	27300-01-01		1.5"	

- Flexible piping should be used on permeate connection to manifold.
- Side port misalignment can not exceed 0.7mm in any direction.
- MPV is not designed for negative pressures.

SHELL Length Code	L Inch (mm)	P Standard Inch (mm)	S Span Inch (mm)
-1	58.4 (1485)	47 (1194)	1@28 (711)
-1.5	78.4 (1993)	67 (1702)	1@42 (1067)
-2	98.4 (2501)	87 (2210)	1@56 (1422)
-3	138.4 (3517)	127 (3226)	1@80 (2032)
-4	178.4 (4533)	167 (4242)	2@64 (1626)
-5	218.4 (5549)	207 (5258)	2@78 (1981)
-6	258.4 (6565)	247 (6274)	2@92 (2337)
-7	298.4 (7581)	287 (7290)	2@106 (2692)
-7.5	318.4 (8089)	307 (7798)	2@114 (2896)
-8	338.4 (8597)	327 (8306)	2@120 (3048)

DESCRIPTION	DRAWING NO.	CODE	PERMEATE PORT SPECS	COMPUTER CODE
PERMEATE PORT	23300-10-08	UF	CONNECTED WITH VICTAULIC	10430
	23300-10-09	N	NPT 1 1/2" MALE THREAD	10844
	23300-10-06	M	NPT 1 1/4" MALE THREAD	10085
	23300-10-05	S	MECHANICAL COUPLING 1"-SS	10070
	23300-10-05	V	MECHANICAL COUPLING 1"-ABS	10070
	23300-10-05	J	UNION ADAPTOR(American Standard)	10070
	23300-10-05	F	NPT 1" FEMALE THREAD	10070
	23300-10-05	G	Rp 1" FEMALE THREAD	10070
	23300-10-05	H	UNION ADAPTOR(National Standard)	10070

ITEM	DESCRIPTION	DRAWING NO.	QTY	MATERIAL	COMPUTER CODE
23	ALUMINUM PLATE LABEL		2	ADHESIVE LABEL	41456
22	LOGO LABEL		2	ADHESIVE LABEL	40255
21	SERIAL NO. LABEL		2	ART/PAPER 20"53	40425
20	STRAP PROTECTIVE JACKET	23300-19	2or3	SOFT PVC	10188
19	STRAP SCREW		4or6	M8*90 STAINLESS STEEL	20129
18	STRAP NUT	23300-18	4or6	Hpb59-1	20123
17	STRAP	23300-17	2or3	304	20123
16	SADDLE	23300-16	2or3	LDPE	10141-1
15	ADAPTOR O RING	23300-14	4	EPDM	10182
14	ADAPTOR(Ø29.1)	23300-13	2	ABS	10125
13	BLOCK SCREW		8	M8*20 STAINLESS STEEL	20127
12	RETAINING BLOCK	27300-08	8	CAST ALUMINIUM	20880
11	HEAD SEAL	23300-26	2	EPDM	10175
10	PERMEATE PORT	SEE "PERMEATE PORT CONFIGURATIONS"	2	PP	SEE THE CHART
9	BEARING PLATE	27300-09	2	CAST ALUMINIUM	20979
8	PERMEATE PORT O RING	23300-08	2	EPDM	10181
7	THRUST CONE	23300-07	1	PP	10192
6	SIDE PORT NUT SHIM	SEE "SIDE PORT CONFIGURATIONS"	2	304	SEE THE CHART
5	SIDE PORT NUT	SEE "SIDE PORT CONFIGURATIONS"	2	304	SEE THE CHART
4	SIDE PORT SEAL	SEE "SIDE PORT CONFIGURATIONS"	2	EPDM	SEE THE CHART
3	PERMEATE RETAINING RING	23300-03	2	316	20107
2	SIDE PORT	SEE "SIDE PORT CONFIGURATIONS"	2	316	SEE THE CHART
1	SHELL	SEE "SIDE PORT CONFIGURATIONS"	1	FIBER GLASS + EPOXY	SEE THE CHART

TECHNICAL REQUIREMENT

- DESIGN PRESSURE 300PSI(2.1Mpa) ;
- DESIGN TEMPERATURE 150°F(65°C) ;
- MIN ALLOWABLE TEMPERATURE 20°F(-7°C) ;
- WORKING MEDIUM,WATER pH RANGE 3~10;
- PLEASE OPERATE IN ACCORDANCE WITH USER MANUAL;
- SPARE PARTS FORM JUST FOR REFERENCE, SPECIFIC FORM OF THE SPARE PART DRAWING PREVAIL.

REVISION	DESCRIPTION	SIGNATURE	DATE
	REFERENTIAL PLASTIC SHRINKAGE (IF NECESSARY):		
THE DIMENSIONS ARE FOR REFERENCE ONLY			
SIGNATURE			
WAVE CYBER (SHANGHAI) CO., LTD.			
DESIGN	NAME	DATE	
INSPECTION	SCALE	MATERIAL	MODEL WAVE-300PJ-8
APPROVAL	QUANTITY	SMOOTHNESS	DESCRIPTION
300PJ-8 MEMBRANE HOUSING			
THIS PRODUCT DRAWING CAN NOT BE COPIED AND/OR USED WITHOUT PRIOR WRITTEN APPROVAL OF WAVE CYBER.			
PROJECTION	COMPUTER CODE	DRAWING NO.	VERSION NO.
		27300-00	2
DO NOT MEASURE THE DIMENSIONS.		UNIT: MM	TOTAL PAGE: 1